



Gear racks

Standard and customised

Mounting instructions





1	About these installation instructions	4
1.1	Function and application	4
1.2	Target group	4
1.3	Additional literature	4
2	For your safety	4
2.1	Authorised staff	4
2.2	Intended use	4
2.3	General safety and protective measures	4
2.4	Environmentally responsible behaviour	5
3	Description	5
3.1	Basic points	5
3.2	Components	5
4	Storage and transport	6
5	Preparation for installation	6
5.1	Cleaning	6
5.2	Tools and aids required	7
5.3	Checking the delivery schedule	7
6	Installation	8
6.1	Fitting the first and additional gear rack(s)	8
6.2	Checking the running accuracy	10
6.3	Pinning	11
6.4	Final check	11
7	Lubrication	12
8	Pinion/gear rack operating conditions	12
9	Maintenance	12
9.1	Shutting down, preparation	12
9.2	Visual check	12
10	Dismantling	13
10.1	Preparatory measures	13
10.2	Removing the gear rack	13
10.3	Replacing spare gear racks	13
11	Disposal	13
12	Tightening torques	14



1 About these installation instructions

1.1 Function and application

The gear rack installation instructions describe how the gear rack drive components are fitted.

1.2 Target group

SCHNEEBERGER has defined the following user groups:

- Machine builder
- Machine end user

The machine builder is SCHNEEBERGER's direct customer. They fit the SCHNEEBERGER component into their machine and sell the end product to end user. These installation instructions are intended for machine builders.

1.3 Additional literature

Dimensions and other details about the gear racks are in the gear rack catalogue. (<http://www.schneeberger.com/en/>)

2 For your safety

2.1 Authorised staff

Gear racks must only be fitted by appropriately trained specialists, such as fitters who have read and understood these instructions.



2.2 Intended use

SCHNEEBERGER gear racks are components for precise linear movements. SCHNEEBERGER gear racks must only be used in the temperature range of -40°C to +80°C. SCHNEEBERGER gear racks must not be used as safety components.

2.3 General safety and protective measures

- Storage** Store gear racks in their original packaging and protect them from damp and damage.
- Fitting** When fitting all components must be kept at the same room temperature.
- Repairs** Only use original SCHNEEBERGER parts for repairs.
- Miscellaneous** Comply with country-specific regulations, standards and guidelines for accident prevention. To ensure that the products work properly also observe the instructions on profile and location tolerances, lubrication and environmental conditions.

2.4 Environmentally responsible behaviour

Do not allow lubricants to end up in the environment and dispose of in accordance with countryspecific regulations.

3 Description

3.1 Basic points

Gear rack drives' main feature is their high level of efficiency. They are the best choice for high axial forces. This drive rigidity is constant over the whole length. They are also very cost effective for long strokes of more than 2 m.

With a rack and pinion system a slideway is driven by the pinion running on a fixed gear rack. There is a basic difference between straight and helical toothed gear racks. Apart from typical dimensions, SCHNEEBERGER supplies any cross sections with metric or module pitches. The maximum one-piece length is 3000 mm. This means that they can be joined in any sequence.

The tooth rack can be milled or ground depending on the customer's requirements. A particular feature is that different materials and hardening processes can be used. Depending on the load to be applied you have a choice of soft, induction or case-hardened and nitride hardened gear racks.

3.2 Components

The gear racks are described in detail by the order description. Further details are contained in the associated drawing.

4 Storage and transport

When dispatched gear racks are protected from corrosion and should not be stored in their original packaging for more than a year. Gear racks must be stored in dry, heated storerooms.

You must bear the following points in mind when transporting:

- Transport in the original packaging.
- Bending effects must be avoided with long gear racks
- Protect from impacts and moisture

5 Preparation for installation

5.1 Cleaning

The machine and supporting surfaces should be degreased, cleaned and prepared with an oil stone. When they are supplied the gear racks already have corrosion protection. This must be removed immediately before fitting. They should be fitted in a clean, dry environment because dirt will have a detrimental effect on their operation. The mounting surfaces of the slideway must be thoroughly cleaned and then prepared with an oil stone.

The grease must not be removed from the tapped fixing holes in the machine bed because otherwise the friction when tightening will be too great and the screw's required preload force will not be reached. In this case apply a little oil.

After cleaning the gear racks must be placed on the machine bed so that the temperatures can adjust.



5 Preparation for installation

5.2 Tools and aids required



- Personal protective equipment, protective gloves
- Torque wrench
- Fixing screws
- Oil stone
- Cleaning cloths
- Screw clamps
- Module and angled mounting plate

Protective gloves must be worn when handling gear racks. This will prevent cutting injuries and avoid contact corrosion.

A lifting device may sometimes be necessary to fit the gear racks. You must ensure that suitably sized equipment is available. Cylinder screws and dowel pins are required for fixing the gear racks, as described in the table below.

Screws of strength class 10.9 must be used for soft or inductively hardened gear racks and strength class 12,9 for case-hardened and through-hardened gear racks.

The permissible tightening torques are listed in Chapter 12.

Module	Cylinder screw	Dowel pin*
2	M6	6 m4
3	M8	8 m5
4	M10	8 m6
5	M12	12 m8
6	M16	16 m8
8	M20	20 m10
10	M30	20 m10
12	M36	20 m10

* we recommend dowel pins with an internal thread for ease of removal.

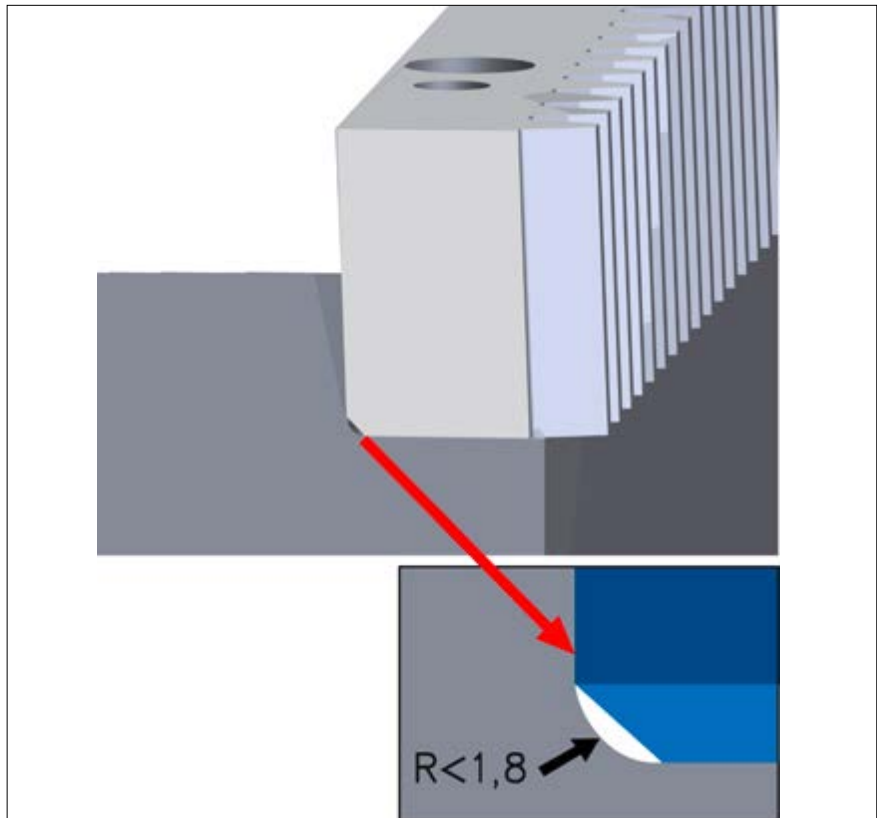
5.3 Checking the delivery schedule

The gear racks should be checked for dirt and external damage. Damaged or dirty gear racks must not be installed.

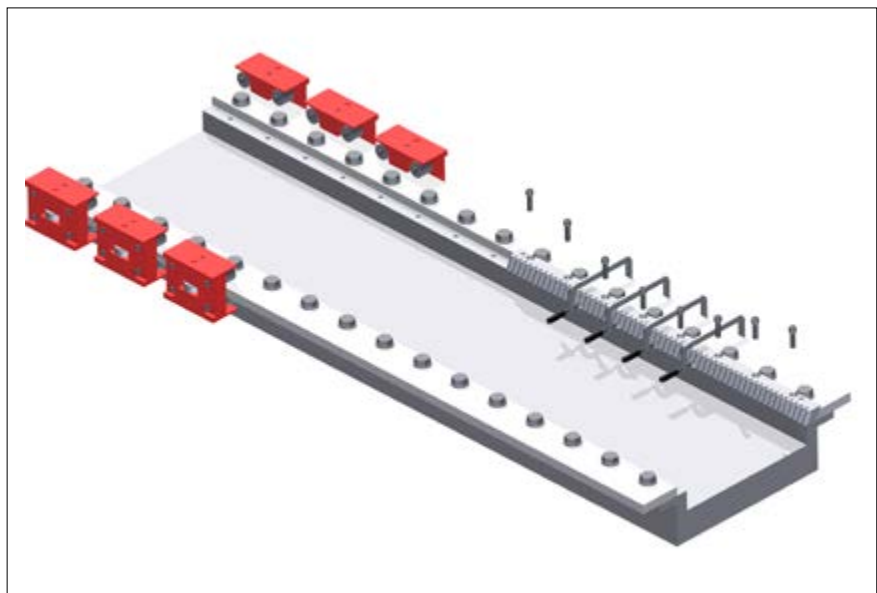


6 Installation

6.1 Fitting the first and additional gear rack(s)



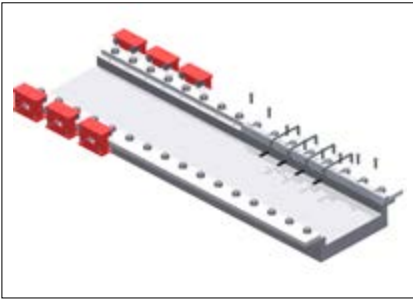
Picture 1



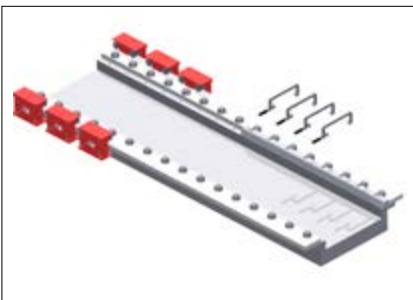
Picture 2

The gear rack has a chamfer between the installation and the contact surfaces (Picture 1) in order to ensure it abuts the machine bed as cleanly as possible. The gear rack will be aligned in the best possible way if the stop bar is first of all aligned with the guide blocks. Attach the first gear rack to the machine bed, align it centrally and clamp it to the installation surface with the screw clamps (Picture 2).

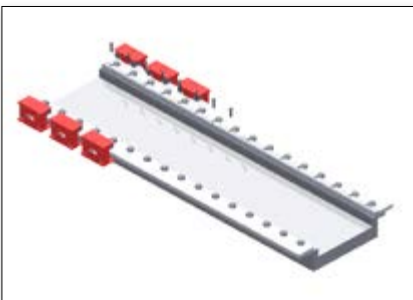
6 Installation



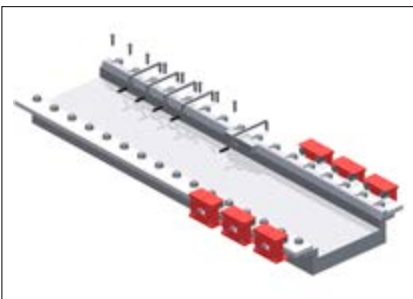
- Attach the fixing screws but do not tighten them fully.
- Position the gear rack's contact surface in accordance with the guideway of the machine.
- Then tighten the fixing screws with an appropriate torque from the middle outwards (see Chapter 12).



- The previous steps must be repeated for the remaining cylinder screws. The screw clamps can be undone.



The flatness and joints must be checked before the next gear rack is attached. Fit the next gear rack and position it over the corresponding fixing holes.



- Attach the assembly jig and clamp it lightly.
- Clamp the gear rack to the machine bed in the area of the fixing holes.
- Insert the first fixing screw in the direction of installation.
- Tighten the fixing screw with an appropriate torque in the direction of installation.
- Repeat the previous steps for the remaining fixing screws.
- Undo all screw clamps and the assembly jig.

Note:

We recommend using a screw securing adhesive (e.g. Loctite 243) to secure the fixing screws.

Gear racks can be fitted in any order. If the gear rack is shorter than 1 m dowel pins are also necessary. Ensure that only gear racks with identical order codes are used for the same application.

The systems must be aligned in an axial direction over the tooth racks in such a way that the pinion does not jam when rolling over the joint. To do this the spacing of the teeth must be set at the joint so that it corresponds with the spacing of the remaining racks and thus moves within the permissible individual pitch error of the adjacent rack.

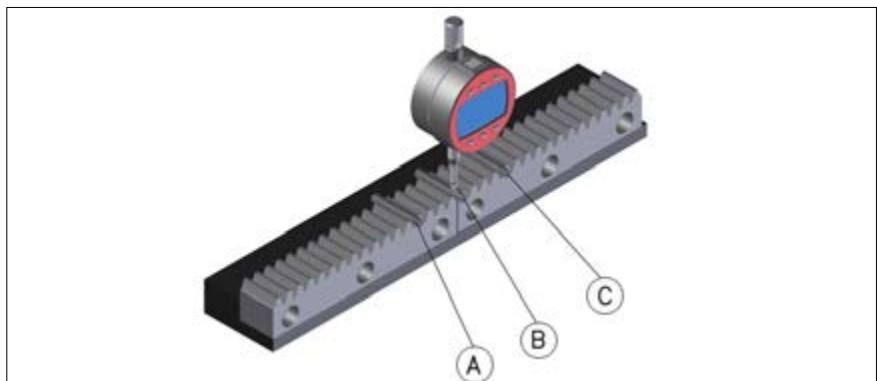
To do this the BZM assembly jig should be used for installation. This is a short rack segment with counter gearing. After the guide rails have been orthogonally aligned, they are pulled into the gearing using a clamp and in this way the systems are axially aligned with one another. To do this at least one of the aligned segments must be moved slightly in an axial direction.

Notes on tensioning gears:

If the torque is transferred via a tensioning gear or a tensioning system in which two gear wheels are meshed on the same gear rack, the whole torque must not exceed the push force of the screws.

6.2 Checking the running accuracy

- Fix the dial gauge bracket onto the machine slide.
- Put the measuring roller in the joint (B) and in the teeth rack on the left (A) and right (C) of it and measure the difference in height in each case. The permissible height difference depends on the quality of the gear racks.
- The joint (B) should be between the upper and lower limit (A and C) of the tooth racks.
- In the event of deviations align the parallelism up to a minimum measurement by reaching the desired height tolerance on the dial gauge by using a copper tapered punch to hit the first screw hole for the previous gear rack away from or in the direction of installation.
- After the joint has been checked successfully, clamp the screw clamps on again tightly and tighten the cylinder screws with full torque (see 6.1).
- Repeat the previous steps with the other gear racks.
- Remove the screw clamps.



6 Installation

6.3 Pinning

- Drill the pin holes to match the gear rack holes in the machine bed.
- Ream the all the holes to the correct tolerance dimension for the dowel pins. see 5.2.
- Remove any swarf with a vacuum cleaner.
- Finally fix the gear racks with cylinder pins.

Note:

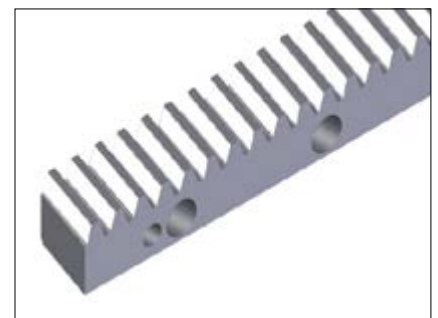
We recommend dowel pins with an internal thread for easier removal (see 10).

6.4 Final check

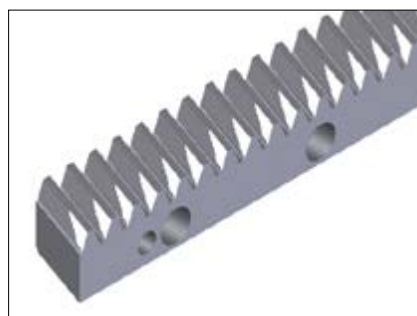
- If necessary remove the grease from the tooth flanks of the gear rack.
- Paint the tooth flanks with touch up paint.
- Move the machine table several times so that the pinion runs over the painted tooth flanks.
- While doing this check that the tooth rack moves easily.
- The energy expenditure and the running noise must be the same over the whole travel distance.
- There must be no impact at the intersections (joint).
- Check the area where the paint was removed from the tooth flanks.
- Assess the alignment of the gear using the contact pattern shown in the pictures below.
- If necessary adjust the alignment of the gear.
- Check the gear racks at the joint for pitch accuracy.



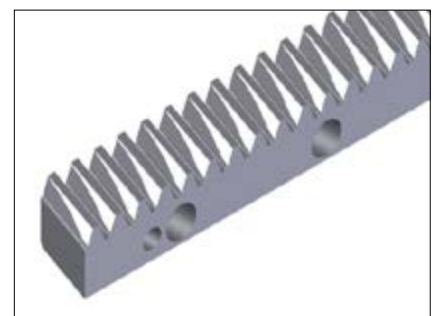
Right



Right

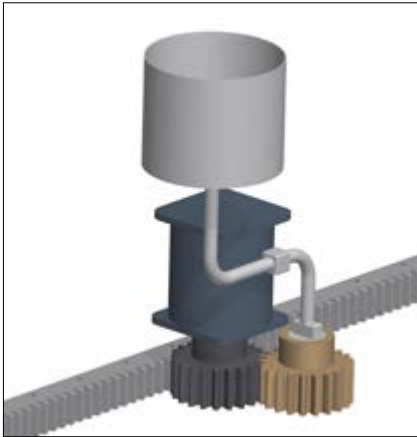


Wrong (Do not align the gear rack and the gear wheel)



Wrong (Do not align the gear rack and the gear wheel)

7 Lubrication



Sufficient lubrication with a lubricant suited to the conditions of use is necessary to ensure that the rack drive continues to work properly. Lubrication protects from wear and corrosion and reduces friction.

Apart from the initial lubrication the equipment must be re-lubricated regularly during installation.

Normally electrically-driven lubrication cartridges are used for lubrication. Lubrication greases NLGI 00 to NLGI 0 are applied to the drive pinion or the gear rack with a felt pinion. Please note that the felt pinion hardens over time and is subject to natural wear and tear. Therefore it must be checked at regular intervals and replaced if necessary.

A typical lubricant is Klüber Microlube GB 0.

Too little lubrication shortens the service life of the drive system. Therefore, always ensure that the machine is lubricated adequately.

8 Pinion/gear rack operating conditions

Inadequate lubrication shortens the service life of the tooth system.

You must ensure that the pinion between the pinion and gear rack is set correctly.

When freewheeling the guide block should be moved evenly over the length of travel (ensure that it has not been distorted during installation). With vertical axes the machine table must be secured according to the instructions.

In the event of jams the distance between the gear rack and the guide should be measured again using a dial gauge.



9 Maintenance

9.1 Shutting down, preparation

The machine in which the drive system is installed must be shut down during maintenance. The machine must be disconnected from the power supply before maintenance work. With vertical axes the slideway must be secured according to the instructions.

9.2 Visual check

- Check the whole drive system for external damage and leaking lubrication by a thorough visual check.
- The pinion and gear rack must be cleaned.
- The whole drive system must be checked for external damage and leaks with a thorough visual check.
- Defects or leaking parts must be repaired immediately.

10 Dismantling

10.1 Preparatory measures

Shut down the machine in which the drive system is installed. The machine must be disconnected from the power supply before you start work. Ensure that it is possible to dismantle the gear system without any risk to people or the machine.

The gear racks and gear unit must only be dismantled by trained specialists with the necessary knowledge. With Z axes the machine table must be secured as in the instructions.

The positive locking device on the machine table must be disconnected when dismantling the gear racks and the gear unit. If the machine table is not secured properly for Z axes, it may drop due to its own weight and cause damage to people and equipment.

The fixing screws must be undone. After that the gear rack can be removed from the pinned fitting with a suitable tool.

10.2 Removing the gear rack

- Remove the gear racks carefully so as not to damage the gear system and adjacent parts.

10.3 Replacing spare gear racks

- Only original spare parts must be used. SCHNEEBERGER assumes no liability for non-OEM parts.
- When replacing gear racks use new screws (see 5.2) and pins to fix them.
- Now fit the spare gear racks in accordance with 6.
- Select the next larger dowel pins than specified in 5.2 (only the standard sizes are given in 5.2)
- Ream all the holes to the correct tolerance dimension
- Finally fix the gear racks with the dowel pins



11 Disposal

Hazardous to the environment

Lubricants are hazard substances that could contaminate the soil and water. Dispose of the lubricant in accordance with the national guidelines in force. Do not mix polyglycol with mineral oils that are intended for recycling.

Gaskets Gaskets must be disposed of as composite materials (metal/ plastic).

Metal Separate the drive system as far as possible into:

- Steel
- Aluminium (Housing; cover) and
- Non-ferrous metal (motor coils).

Hoses Hoses must be disposed of in the same way as plastic.

Felt gear wheels Felt gear wheels must be disposed of in the same way as residual oilcontaining waste.

12 Tightening torques

The tightening torques specified for headless screws DIN EN ISO 898-1 are arithmetical values and do not apply to friction factor $\mu=0.125$.

Strength class	Tightening torque (in Nm)						
	M6	M8	M12	M16	M20	M30	M36
10.9	13	31	108	265	540	1970	3600
12.9	16	40	135	330	660	2300	4100

Screws of strength class 10.9 must be used for soft or inductively hardened gear racks and strength class 12.9 for case-hardened and through-hardened gear racks.

A more even preload force is obtained if the screws are lubricated with a grease containing MoS_2 and they are tightened using a torque wrench.

Note:

When using greases the friction factor can drop by a half. The torques must be reduced accordingly.



EUROPE

AUSTRIA

Haberkorn GmbH
6961 Wolfurt
Phone: +43 5574 695-0
Fax: +43 5574 695-99
info.wolfurt@haberkorn.com

BULGARIA / MACEDONIA

Atlas Technik EOOD
Hippodroma, Bl. 139B, Eing. A, App. 6
1612 Sofia, PB 51
Bulgarien
Phone +359 2 859 76 81
Fax +359 2 859 76 81
Mobile +359 8 852 32 595
E-Mail: al_popoff@atlas-technik.com

CROATIA

Haberkorn CRO d.o.o.
10431 Sveta Nedelja
Phone +385 1 333 5870
Fax +385 1 337 3902
E-Mail: info@haberkorn.hr

CZECH REPUBLIC

INOMECH s.r.o.
Martina Koláře 2118
390 02 Tábor
Phone +420 381 252 223
E-Mail: inomech@inomech.com

DENMARK

HERSTAD + PIPER A/S
Jernholmen 48c
2650 Hvidovre
Phone +45 367 740 00
Fax +45 367 777 40
E-Mail: mail@herstad-piper.dk

FINLAND

EIE Maskin OY
PL, 80 Asematie 1
10601 Tammissaari
Phone +358 192 239 100
Fax +358 192 239 199
E-Mail: info@eie.fi

FRANCE

Region Rhône-Alpes
Groupe BARET
6 avenue du 11 novembre 1918
69200 Venissieux
Phone +33 4 78 77 32 32
Fax +33 4 78 00 90 00
E-Mail: contact@baret.fr

Regions Ile de France, Normandie, Bretagne

Groupe LECHEVALIER
56 rue Jean Mermoz
Parc d'activités de la Bretèque
76230 Bois-Guillaume Cedex
Phone +33 2 35 12 65 65
Fax +33 2 35 59 89 97
E-Mail: contact@lechevalier-sa.com

Region Nord Pas de Calais

LEFRANC LTL «Le Panetier»
35, rue Pierre Martin
Parc d'Activités de l'Inquétie
62280 Saint Martin Boulogne
Phone +33 3 21 99 51 51
Fax +33 3 21 99 51 50
E-Mail: lefranc.boulogne@lefranc-sa.fr

GERMANY

BGP-Blazevic Geradlinige Präzisionstechnik
Stipo Blazevic
Auerbacher Straße 8
93057 Regensburg
Phone +49 941 463 704 0
Fax +49 941 463 704 50
Mobile +49 151 401 126 25
E-Mail: info@bgp-blazevic.de

EUROPE

HUNGARY

Haberkorn Kft.
Aszталos Sándor u.12
Budapest, 1087
Phone +36 13030325
Fax +36 1/3030262
E-Mail: office@haberkorn.hu

ITALY

Gruppo Rinaldi
Via Campana, 233G
80078 Pozzuoli (NA)
Phone +39 081 853 085 6
Fax +39 081 303 049 8
E-Mail: info@grupporinaldi.it

Nadella S.r.l.

Via Melette, 16
20128 Milano
Phone +39 022 709 329 7
Fax +39 022 551 768
E-Mail: customer.service@nadella.it

NORWAY

EIE Maskin AS
Tvetenveien 164
0671 Oslo
Phone +47 675 722 70
Fax +47 675 722 80
E-Mail: elmeko@elmeko.no

POLAND

TECHNIKA LINIOWA
Rollico Rolling Components
Ul. Cegielniana 21
42-700 Lubliniec
Phone +48 343 510 430
Fax +48 343 510 431
E-Mail: rollico@rollico.com

ROMANIA

Meximpex SRL
4, Burebista Blvd.,
bl. D13 sc. A et 2 ap. 9-10
031108 Bucharest
Phone +40 213 166 843 /44
Fax +40 213 166 846
E-Mail: office@meximpex.ro

RUSSIA

Bearing Alliance, TD
121069 Moscow
Phone +7495 987 32 92 add 114,
8 800 100 42 92
Fax +7495 987 32 92
E-Mail: 114@9873292.ru

SERBIA/MONTENEGRO

Haberkorn d.o.o.
Kralja Petra I, 59
21203 Veternik,
Phone +381 21 820 188
Fax +381 21 820 071
E-Mail: office@haberkorn.rs

SLOVAKIA

KBM, s.r.o.
Juraj Hájovský
Zitná 13
010 04 Zilina
Phone +421 417 070 324
Fax +421 417 070 333
Mobile +421 090 585 1465
E-Mail: jhajovsky@kbm.sk

SLOVENIA / BOSNIA HERZEGOVINA

Haberkorn d.o.o.
Vodovodna ul. 7
2000 Maribor
Phone +386 2 320 67 10
Fax +386 2 320 67 30
E-Mail: info@haberkorn.si

EUROPE

SPAIN / PORTUGAL

TECNOMECA-KIDELAN-DEXIS
Pol Industrial Itziar
20829 DEBA (Gipuzkoa)
Phone +34 943 199 201
Phone +34 943 199 273
E-Mail: tecnomeca@tecnomeca.com

SWEDEN

EIE Maskin AB
Box 7
12421 Bandhagen
Phone +46 87 278 800
Fax +46 87 278 899
E-Mail: eie@eie.se

TURKEY

Birlik Rulman (Paz.ltd.sti)
Mumhane Cad. No: 16
80030 Karakoy-Istanbul
Phone +90 212 249 54 95
Fax +90 212 244 21 40
E-Mail: birltik@birltikrulman.com

Mustafa Kozanlı Mühendislik Ltd. Şti.
Çalı Kavşağı Alaaddinbey Cad. No: 7
16130 Nilüfer / BURSA
Phone +90 224 443 26 40
Fax +90 224 443 26 39
E-Mail: satis@kozanli.com.tr

ASIA

TAIWAN / REPUBLIC OF CHINA

Ever Bright Systems Co., Ltd.
1F., No. 52, Lane 10, Chi-Hu Road
11492, Taipei
Phone +886 2 2659 7881
Fax +886 2 2659 7831
E-Mail: sales@everbright.com.tw

INDIA

Jagat Enterprise
83, Narayan dhuru street, 3rd floor, Mazjid Bunder
Mumbai - 400 003
Phone +91 2223421941
Fax +91 2223413405
E-Mail: jagatent@gmail.com

M.R. Bearing Company
MR Complex, 224 Linghi Chetty Street Parrys,
Chennai - 600001
Phone +91 4425232847
Fax +91 4425264497
E-Mail: info@mrbearing.in

AUSTRALIA / NEW ZEALAND

Benson Machines
118 Carnarvon Street
NSW 2128 Silverwater
Australia
Phone +61 1800 68 78 98
Fax +61 (02) 9737 9707
E-Mail: info@bensonmachines.com

SOUTH AFRICA

Fischli & Fuhrmann Ltd.
P.O Box 253
1600 Isando Gauteng
Phone +27 119 745 571
Fax +27 119 745 574
E-Mail: info@fifu.co.za

SOUTH AMERICA

Ibatech Tecnologia Ltda.
Estrada da Arrozeira, 90 - Residencial Eldorado
92990-000 Eldorado do Sul
Brazil
Phone +55 51 3337 2870 (RS)
Phone +55 19 3483 0007 (SP)
E-Mail: vendas@ibatech.com.br



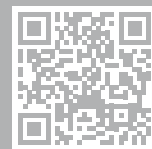
www.schneeberger.com
www.schneeberger.com/contact



PROSPECTUSES

- CUSTOMIZED BEARINGS
- GEAR RACKS
- LINEAR BEARINGS AND RECIRCULATING UNITS
- MINERAL CASTING SCHNEEBERGER
- MINISLIDE MSQSCALE
- MINI-X MINIRAIL / MINISCALE PLUS / MINISLIDE

- MONORAIL AND AMS PROFILED LINEAR GUIDEWAYS WITH INTEGRATED MEASURING SYSTEM
- MONORAIL AND AMS APPLICATION CATALOG
- SCHNEEBERGER BALL SCREWS SBS
- POSITIONING SYSTEMS
- SLIDES



www.schneeberger.com

www.schneeberger.com



A.MANNESMANN
A member of
SCHNEEBERGER linear technology